

# Sphygmomanometers and Stethoscopes

## SHOCKPROOF, LATEX-FREE SPHYGMOMANOMETERS

The innovative HEINE GAMMA G series of latex-free aneroid sphygmomanometers offers top-quality and functionality with unmatched value for money. Highest precision and durability combined with a functional, modern design guarantee you long-term reliability in clinic and practice.

### Clinical Approval



HEINE GAMMA G Sphygmomanometers are now clinically-validated under the European Union protocol on hypertension. The validation confirms the long-term accuracy of measurement of systolic and diastolic blood pressure.

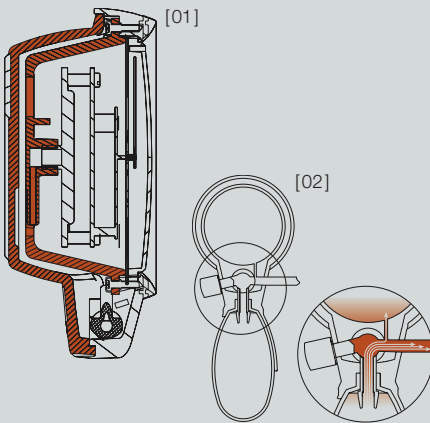
### Stethoscopes for precise auscultation.

HEINE GAMMA Series 3 stethoscopes are perfectly adapted to everyday use. Major improvements in acoustic performance increase the precision with which heart, lung and vascular sounds can be heard.





## SHOCKPROOF |

**SHOCKPROOF**

**[01] Shockproof double-walled construction with unique manometer protection.** The robust double-walled construction with a unique triple manometer mount gives ideal protection against shocks, comfortably exceeding both the European EN1060 and the American SP9 tests.

**AIR PRESSURE DISTRIBUTION SYSTEM**

**[02] Single-tube construction with an innovative air pressure distribution system.** The valve construction provides ideal air pressure conditions to absorb pressure peaks in air flow to the manometer during inflation. This advantage was only possible until now with twin-tube systems.

## HEINE GAMMA® G7

## The model with aluminium alloy construction and precision valve



∴ Shockproof

∴ Latex-Free

∴ Aluminium upper housing

∴ 10 year warranty

- ∴ Shockproof.
- ∴ Latex-Free.
- ∴ Exclusive Pressure-Distribution System.
- ∴ Pressure-Proof Manometer. Ensures durability and reliability.
- ∴ Micro-Filter. Protects valve and manometer.
- ∴ Large-diameter Scale. 56mm diameter black-on-white scale is easy to read.
- ∴ High Quality Indicator. Precisely calibrated, durable and shock resistant.
- ∴ Large Insufflation Bulb. 50 % larger bulb volume for fast inflation of the cuff.
- ∴ Exclusive Air-Release Valve. Provides fine and precise air release rate adjustment, quick deflation, and extreme durability. A rubber-stop prevents valve-lock.
- ∴ Upper housing made of aluminium alloy. Advanced thermo plastics (Polyamid / TP Elastomer) with a shock absorbing ring protects indicator and glass.
- ∴ Lower housing is moulded of a 2 component thermo plastic (Polyamid / TP Elastomer). Shock absorbing, anti-slip coating.
- ∴ Light alloy, adjustable Spoon. For both right- or left-handed operation.
- ∴ High quality, single-tube cuff with Velcro Fastener. Washable.
- ∴ Ergonomic Design: G7 is perfectly balanced for comfort and ease of use.
- ∴ 10 year warranty.\*

\*against defects in manufacture and workmanship for a period of 10 years from the date of purchase.

GAMMA G7	
complete with adult cuff, in zipper pouch	M-000.09.232
complete with child cuff, in zipper pouch	M-000.09.233
Practice Kit with child, adult and small adult cuff in zipper pouch	M-000.09.554
complete with adult cuff without zipper pouch, box of 10	M-000.09.560

HEINE GAMMA® G5

**The HEINE standard sphygmomanometer**



∴ Shockproof

∴ Latex-Free

∴ Shock-absorbing Polyamid housing

Combines all the design and quality features of the GAMMA G7, except:

- ∴ **Housing is moulded of a 2 component thermo plastic (Polyamid/TP Elastomer).** Shock absorbing, anti-slip coating.
- ∴ **Adjustable Spoon (Polyamid Thermo Plastic).** For both right or left-handed operation.
- ∴ **5 year warranty.\***

\*against defects in manufacture and workmanship for a period of 5 years from the date of purchase.

GAMMA G5	
complete with adult cuff, in zipper pouch	<b>M-000.09.230</b>
complete with child cuff, in zipper pouch	<b>M-000.09.231</b>
Practice Kit with child, adult and small adult cuff in zipper pouch	<b>M-000.09.555</b>
complete with adult cuff without zipper pouch, box of 10	<b>M-000.09.561</b>

HEINE GAMMA® GP

**HEINE standard sphygmomanometer with push-button valve**



∴ Shockproof

∴ Latex-Free

∴ Shock-absorbing Polyamid housing

Combines all the design and quality features of the GAMMA G5, but with a push-button valve:

- ∴ **Innovative push-button valve.** Fine and precise air-release rate adjustment, ultra-fast air-release, practically wear-free. Easy to operate by both left and right-handed users.
- ∴ **5 year warranty.\***

\*against defects in manufacture and workmanship for a period of 5 years from the date of purchase.

GAMMA GP	
complete with adult cuff, in zipper pouch	<b>M-000.09.242</b>
complete with child cuff, in zipper pouch	<b>M-000.09.243</b>
Practice Kit with child, adult and small adult cuff in zipper pouch	<b>M-000.09.556</b>
complete with adult cuff without zipper pouch, box of 10	<b>M-000.09.562</b>



HEINE GAMMA® XXL LF

**The top-quality professional model**

Since the GAMMA XXL LF is non-mercurial, it is both safe and environmentally-friendly.



[01]

- ⚡ Oversized scale
- ⚡ Latex-Free
- ⚡ 10 year warranty

- ⚡ **Latex-free.**
- ⚡ **Durable polycarbonate construction.** Will hold up in the busiest hospital and practice environments.
- ⚡ **Oversized 130 mm Diameter Scale.** Can be pivoted for clear, easy reading from any angle.
- ⚡ **Long Spiral Inflation Tube (3m).** For increased working distance.
- ⚡ **High Quality Indicator.** Precisely-calibrated and durable.
- ⚡ **Precision Air-Release Valve.** Fine and precise air release.
- ⚡ **Pressure-Proof Manometer.** Ensures durability and reliability.
- ⚡ **Wall, Desk, Rail and Wheeled Stand.** Adjustable height.
- ⚡ **10 year warranty.\***

\*against defects in manufacture and workmanship for a period of 10 years from the date of purchase.

GAMMA XXL LF	
LF-W Wall [01]	M-000.09.323
LF-S Wheeled Stand [02]	M-000.09.326
LF-R Rail [03]	M-000.09.325
LF-T Desk (non-spiral insufflation tube) [04]	M-000.09.322



[03]



[04]



[02]

Accessories	
Cuff-holder for GAMMA XXL LF-T	M-000.09.141
Desk stand for GAMMA XXL LF-T	M-000.09.142
Adjustable wheeled stand for GAMMA XXL LF-S	M-000.09.145
Universal mounting plate for GAMMA XXL LF-W, -S, -R	M-000.09.306
Rail clamp for GAMMA XXL LF-R	M-000.09.307

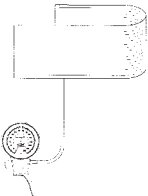
Blood-pressure cuffs and accessories

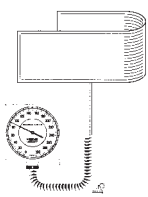
Latex-free blood-pressure cuffs

Cuffs for GAMMA G7/G5/GP/XXL LF sphygmomanometers.



- ✶ Latex-free.
- ✶ Fit the most widely-used sphygmomanometers.
- ✶ High-quality velcro cuffs made of wear-resistant material. Physiologically tested.
- ✶ Double-sewn.
- ✶ Washable.
- ✶ Index mark for exact positioning.
- ✶ Clear indication of size and control mark for arm circumference.
- ✶ Extra-thick, highly-flexible tube. For a long life.
- ✶ Proven reliability. Absolutely airtight system.

	GAMMA G7/G5/GP	Single-tube cuffs (cpl.)			Single-tube bladders		Outer cuffs	
		Size	Circumference/cm		Size		Size	
	Small child	6x28	8-13	M-000.09.700	5x15	M-000.09.661	6x28	M-000.09.059
	Child	10x34	13-20	M-000.09.702	8x20	M-000.09.663	10x34	M-000.09.060
	Small adult	14x53	20-29	M-000.09.704	11x23	M-000.09.664	14x53	M-000.09.061
	Adult	14x58	29-41	M-000.09.619	12x28	M-000.09.665	14x58	M-000.09.055
	Large adult	20x86	>41	M-000.09.615	18x52	M-000.09.667	20x86	M-000.09.057

	GAMMA XXL LF	Twin-tube cuffs (cpl.)			Twin-tube bladders		Outer cuffs	
		Size	Circumference/cm		Size		Size	
	Small child	6x28	8-13	M-000.09.701	5x15	M-000.09.671	6x28	M-000.09.059
	Child	10x34	13-20	M-000.09.703	8x20	M-000.09.673	10x34	M-000.09.060
	small adult	14x53	20-29	M-000.09.705	11x23	M-000.09.674	14x53	M-000.09.061
	Adult	14x58	29-41	M-000.09.629	12x28	M-000.09.675	14x58	M-000.09.055
	Large adult	20x86	>41	M-000.09.625	18x52	M-000.09.677	20x86	M-000.09.057